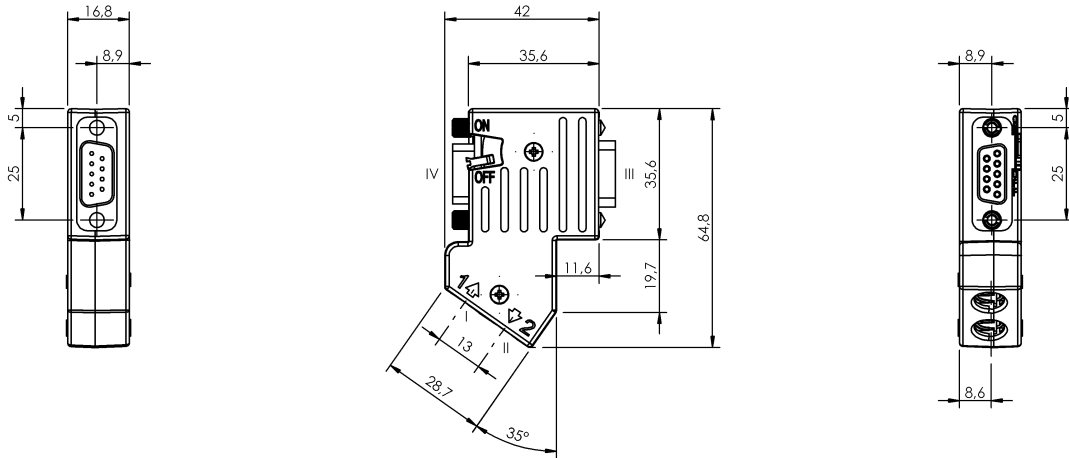


Adapters

BCC D279-0000-E0-000-65X4N1-000-C011

Order Code: BCC0C10

BALLUFF



Basic features

Approval/Conformity	WEEE
Base type deviation	C011: PROFIBUS Sub D connector with switchable terminating resistor and diagnostics interface

Electrical data

Operating voltage U_b	30 VDC
Rated current (40 °C)	3.0 A

Environmental conditions

Ambient temperature	-20...70 °C
IP rating	IP30

Electrical connection

Connection 1	D-Sub-Male, straight, 9-pin
Connection 2	D-Sub-Female, straight, 9-pin
Connector 01, version	straight
Connector 02, version	straight
Number of pins	9/9

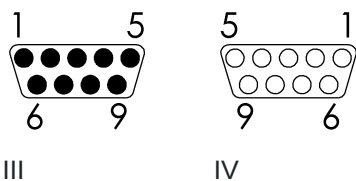
Material

Housing material	Zinc, Aluminum alloy
------------------	----------------------

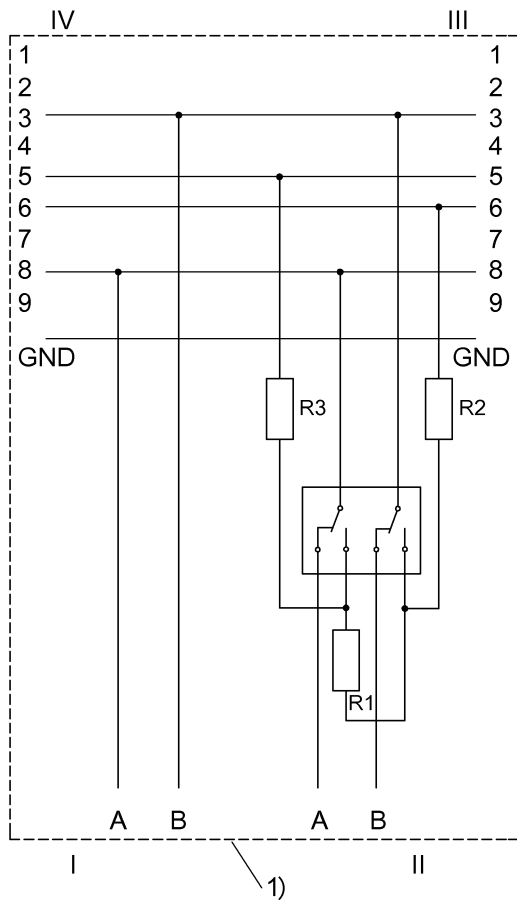
Remarks

Enclosure rating per IEC 60529, only in screwed state with the associated mating piece.

Connector Drawings



Wiring Diagrams



1) Shield on housing

R1 = 220 Ω

R2 = 390 Ω

R3 = 390 Ω